

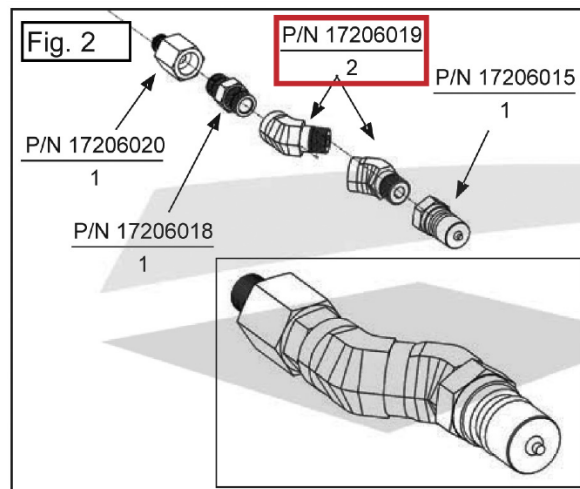
TECHNICAL SERVICE BULLETIN

MODELS: MAXJAX M6 AND M6K

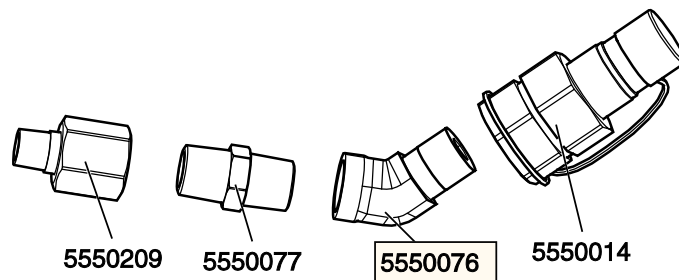
SUBJECT: HYDRAULIC CYLINDER FITTING ASSEMBLIES

The purpose of this Technical Service Bulletin is to describe a recent change made to the Hydraulic Cylinder Fitting Assemblies.

Previous versions of the Lift required two 45° Hydraulic Elbow Fittings (old part number 17206019) per each Fitting Assembly.



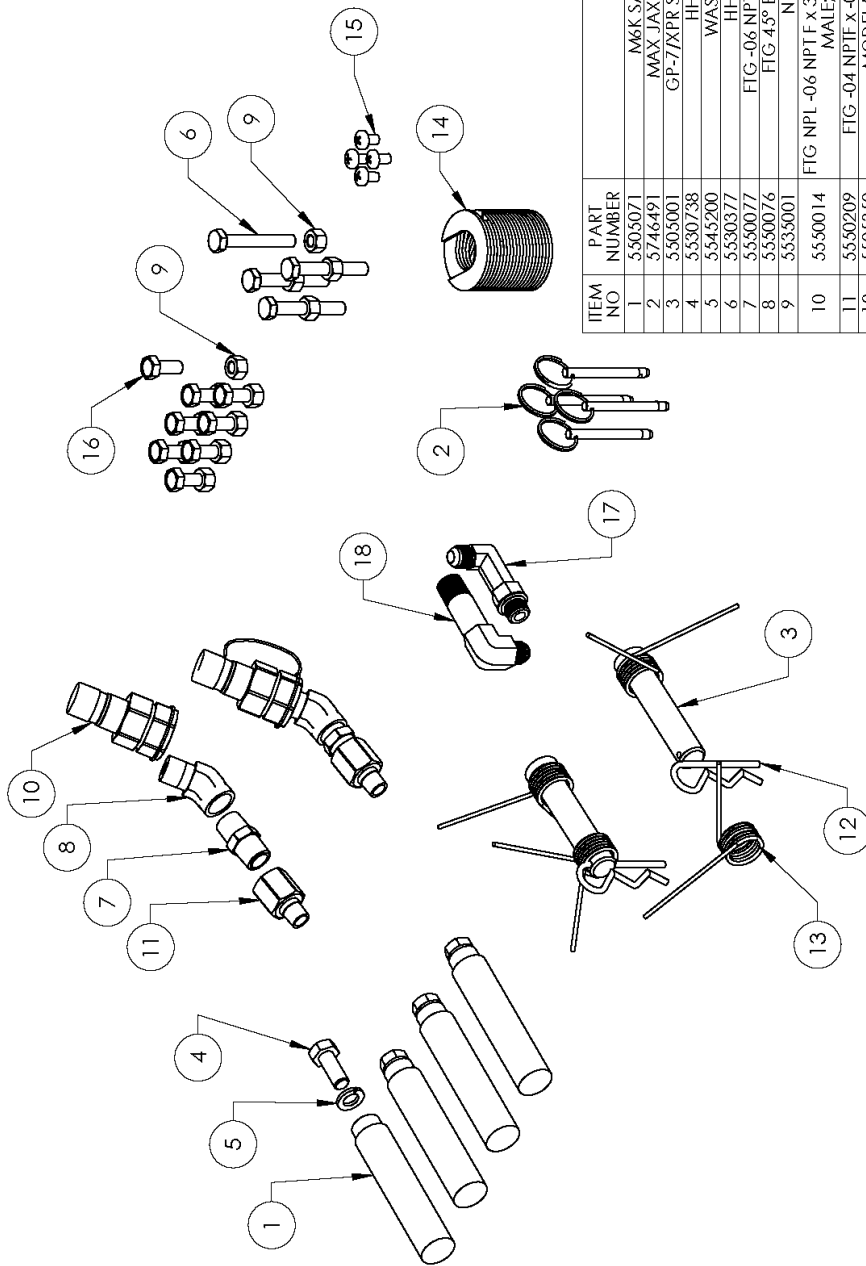
The components in the previous drawing are being superseded by the revised instructions below. This newly designed model only requires **one** 45° Hydraulic Elbow Fitting per Fitting Assembly.



Important We strongly recommend using Liquid Thread Sealant to seal the Hydraulic components on your Lift. Do **not** use Threaded Seal Tape.

Please see our updated Parts Bag on the following page.

If you have questions about your MaxJax Portable Lift, email support@maxjax.com, or call **(844) 629-5291**.



ITEM NO	PART NUMBER	DESCRIPTION	QTY	REV
1	5505071	M6K SAFETY PIN ASSEMBLY	4	A
2	5746491	MAX. JAX LIFT HEAD RELEASE PIN	4	A
3	5505001	GP-7/XPR SERIES SAFETY CLEVIS PIN	2	B
4	5530738	HHB M10 x 1.5 x 25	4	-
5	5545200	WASHER M10 x 018 SL	4	-
6	5530377	HHB M8 x 1.25 x 55	4	-
7	5590077	FIG-06 NPTF x-06 NPTF, HEX NIPPLE	2	-
8	5550076	FIG 45° ELB-06 NPTF x-06 NPTF	2	-
9	5535001	NUT M8 x 1.25 NL	12	-
10	5550014	FIG NPL-06 NPTF x 3/8 QUICK-CONNECTOR COUPLER MALE, NON SPILL DESIGN	2	-
11	5550209	FIG-04 NPTF x-06 NPTF, STRAIGHT EXPANDER	2	-
12	5505350	MODEL #211 HAIR PIN/LARGE	2	-
13	5540075	R.H., 2.5 WIRE DIA., 020.5 x 75 LG	4	-
14	5545535	C WASHER SHIM FOR LIFTS	21	-
15	5530261	PHS M6 x 1 x 10	4	-
16	5530304	HHB M8 x 1.25 x 20	8	-
17	5550074	FIG 90° ELB 3/8" JIC MALE x 3/8" ORB MALE, LONG	1	-
18	5550170	FIG 90° ELB 3/8" JIC MALE x 3/8" NPTF MALE, LONG	1	-

DO NOT SCALE DRAWING

BP BendPak®
1645 LEMONWOOD DR.
SANTA PAULA, CA 93506

DATE: 06/19/2020

NAME: OR: CHECKED: THIRD ANGLE PROJECTION

TITLE: M6K PARTS BAG

SIZE DWG. NO.: A 5174046

SCALE: 1:4

REV: A

SHEET 1 OF 1

PROPRIETARY AND CONFIDENTIAL
THE INFORMATION CONTAINED IN THIS DRAWING IS THE SOLE PROPERTY OF BENDPAK INC. A DIV. OF BENDPAC INC. NO PART OF THIS DRAWING IS TO BE REPRODUCED OR TRANSMITTED IN ANY FORM OR BY ANY MEANS, WITHOUT THE WRITTEN PERMISSION OF BENDPAK INC.