

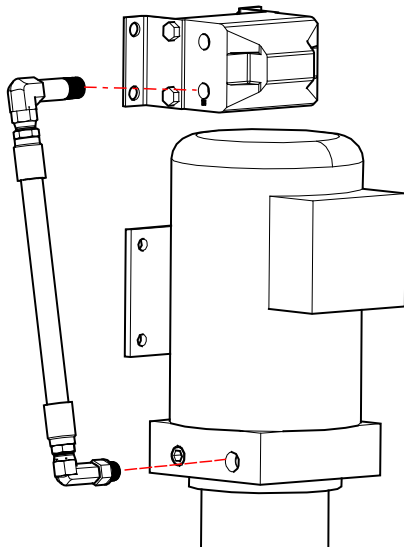
TECHNICAL SERVICE BULLETIN

MODELS: MAXJAX M6 AND M6K

SUBJECT: HYDRAULIC HOSE REPLACEMENT

The purpose of this Technical Service Bulletin is to describe the new Short Hydraulic Hose used for connecting the Power Unit to the Hydraulic Flow Divider.

The manual describes connecting the Short Hydraulic Hose to the lower left **IN** Port on the Hydraulic Flow Divider, as illustrated below; this configuration will **not** work with the Hydraulic Flow Divider that came with your Lift.



What you need to do:

Rotate the Hydraulic Flow Divider so that the side with two Ports (an **IN** Port and an **OUT** Port) is on the **right** side, and then connect the new Short Hydraulic Hose to the lower **IN** Port on the Flow Divider, as shown below. The other end of the Hose connects to the Pressure Port on the right side of the Power Unit.

