

MaxJax® Reclining Creeper Seat User Guide

User Guide P/N 5900383 — Revision A — November 2023



Designed and engineered by BendPak Inc. in Southern California, USA. Made in China.



IMPORTANT SAFETY INSTRUCTIONS, SAVE THESE INSTRUCTIONS! Read this entire user guide thoroughly before operating, servicing, or maintaining this device. Failure to follow the instructions and safety precautions in this user guide can result in severe injury or death. Make sure all other operators also read this user guide. Keep the user guide near the product for future reference. ***By proceeding with setup and operation, you agree that you fully understand the contents of this user guide and assume full responsibility for product use.***

User Guide. MaxJax® Reclining Creeper Seat, *User Guide*. Part Number 5900383, Revision A, Released November 2023.

Copyright. Copyright © 2023 by BendPak Inc. All rights reserved. You may make copies of this document if you agree that: you will give full attribution to BendPak Inc., you will not make changes to the content, you do not gain any rights to this content, and you will not use the copies for commercial purposes.

Trademarks. MaxJax, the MaxJax logo, BendPak, and the BendPak logo are registered trademarks of BendPak Inc. All other company, product, and service names are used for identification only. All trademarks and registered trademarks mentioned in this user guide are the property of their respective owners.

Limitations. Every effort has been made to ensure complete and accurate instructions are included in this user guide. However, product updates, revisions, and/or changes may have occurred since this user guide was published. MaxJax reserves the right to change any information in this user guide without incurring any obligation for equipment previously or subsequently sold. MaxJax is not responsible for typographical errors in this guide. You can always find the latest version of the **User Guide for your product on the MaxJax website.**

Warranty. The MaxJax warranty is more than a commitment to you: it is also a commitment to the value of your new product. Contact your nearest MaxJax dealer or visit www.maxjax.com/warranty for full warranty details.

Safety. Your product was designed and manufactured with safety in mind. However, your safety also depends on proper training and thoughtful operation. Do not install, operate, maintain, or repair the unit without reading and understanding this guide and the labels on the unit; **do not use the MaxJax Creeper Seat unless you can do so safely!**

Owner Responsibility. In order to ensure operator safety and maintain your product properly, it is the responsibility of the product owner to read and follow these instructions:

- Follow all setup, operation, and maintenance instructions.
- Make sure product setup and use conforms to all applicable local, state, and federal codes, rules, and regulations, such as state and federal OSHA regulations and electrical codes.
- Read and follow all safety instructions. Keep them readily available for operators.
- Make sure all operators are properly trained, know how to safely operate the unit, and are properly supervised.
- Do not operate the product until you are certain all parts are in place and operating correctly.
- Carefully inspect the product on a regular basis and perform all maintenance as specified.
- Service and maintain the unit only with approved replacement parts.
- Make sure all labels are clean and visible.
- MaxJax makes no promises, guarantees or assurances that our products meet any state, county, federal or international mandated permit, license, code, standard, certification, or any other mandate other than what is listed or shown on MaxJax website(s), or any MaxJax or BendPak online or published catalog. Buyer assumes full responsibility for any state, county, federal or international mandated permit, license, code, standard, certification, or any other mandate required related to the installation and/or operation of any MaxJax, or BendPak product. **Only use the Maxjax Reclining Creeper Seat if it can be used safely!**

Introduction

The MaxJax (5160119) is a *Reclining Creeper Seat* providing comfort, support, and mobility on a stable ergonomic platform. The backrest is supported by a gas spring that allows an angular adjustment through a range of 0° to 70°. The seat angle adjusts in three 10° steps allowing a 30° maximum angle. Six 360° swivel casters provide freedom of movement across the floor while you work. **This user guide is mandatory reading for all MaxJax users.**

Technical support and service is available from your dealer, on the Web at maxjax.com/support, by email at support@maxjax.com, or by phone at **(844) 629-5291**.

Safety Information

- **Please read this entire guide prior to use.** Failure to follow the instructions and safety precautions in this guide can result in severe injury. By proceeding with setup and operation, you agree that you fully understand the contents of this guide and assume full responsibility for the use of this product. **Always** inspect the MaxJax for loose or damaged components prior to each use. If a problem exists, resolve that problem. If the issue cannot be resolved, cease all use, and contact your authorized MaxJax parts provider.
- **Always** be alert and aware of dangers around you while using this equipment.
- **Only** use the MaxJax on hard, flat surfaces. Cracked or broken concrete is unsuitable.
- **Always sit down on the MaxJax gently.** Avoid shock loads caused by jumping or falling onto the seat.
- This product is **not** a toy. **Never** use as a skateboard or dolly.
- **Never** stand on the MaxJax Creeper Seat or use it for a purpose for which it was not designed.



- **Beware of all pinch and crush hazards** when adjusting the seat and backrest position on this product, keep hands and feet clear.
- **Be aware that the Maximum Weight limit for the MaxJax Reclining Creeper Seat is 600 lbs. / 272 kg.** Do **not** exceed this maximum weight rating.
- **Replace warning labels that are damaged or illegible.**
- **Always wear appropriate personal protective equipment when working with tools or vehicles.**
- **Do not** operate your MaxJax Creeper if you find maintenance issues or it operates in an abnormal manner, take it out of service, then contact MaxJax Technical Support at maxjax.com/support.



WARNING Only operate the MaxJax Creeper on smooth unbroken surfaces. Cracks, rocks, or other inconsistencies in the flooring surface can cause the creeper to jam or tip.

Symbols

Following are the symbols found in this user guide:

DANGER Calls attention to an immediate hazard that **will** result in injury or death.

WARNING Calls attention to a hazard or unsafe practice that **could** result in injury or death.

Liability Information

BendPak Inc. assumes **no** liability for damages resulting from:

- Use of the product for purposes other than those described in this user guide.
- Modifications to the equipment without prior, written permission from BendPak Inc.
- Injury or death caused by modifying, disabling, overriding, or removing safety features.
- Damage to the equipment from external influences.
- Incorrect operation of the equipment.

WARNING California Proposition 65. This product can expose you to chemicals including styrene and vinyl chloride which are on the list of over 900 chemicals identified by the State of California to cause cancer, birth defects or reproductive harm. Always use this product in accordance with BendPak's instructions. For more information, visit www.p65warnings.ca.gov.

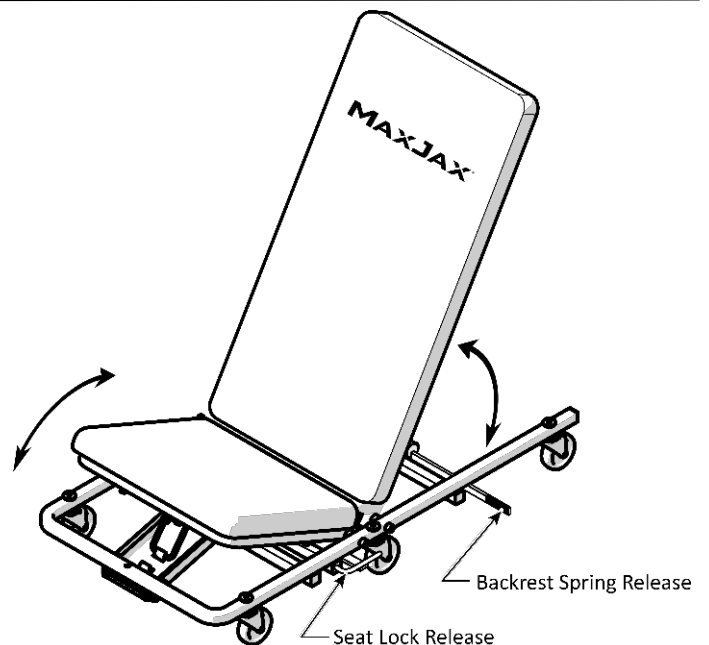
Setup and Operation

MaxJax Creeper Setup:

1. Carefully cut and remove the straps securing the shipping box.
2. Lift off the top of the shipping box.
3. Carefully cut away the plastic and straps securing the MaxJax Creeper. Do NOT damage the seat or backrest as you remove the protective plastic. Remove the Creeper from the shipping box and place on the floor.

To Raise the Creeper Backrest:

1. Remove weight from the backrest.
2. Pull the backrest spring release handle. The backrest will rise.
3. Release the handle when the backrest reaches the desired angle.



To Lower the Creeper Backrest:

1. Add weight (push) against the backrest.
2. Pull the backrest spring release handle. The backrest will lower.
Release the handle when the backrest reaches the desired angle.

To Raise/Lower the Creeper Seat:

1. Remove weight from the creeper seat. Grasp the front of the seat and at the same time pull the seat lock release handle upwards.
2. Pull/push up or down to one of the lock positions. Release the handle when the seat reaches the desired height/angle.
3. Push down on the seat to verify the lock has engaged.

Changing the Spring Release Control's Position:

The Spring Release may be installed on either the left or the right side of the creeper.

To change the Spring Release Control's position:

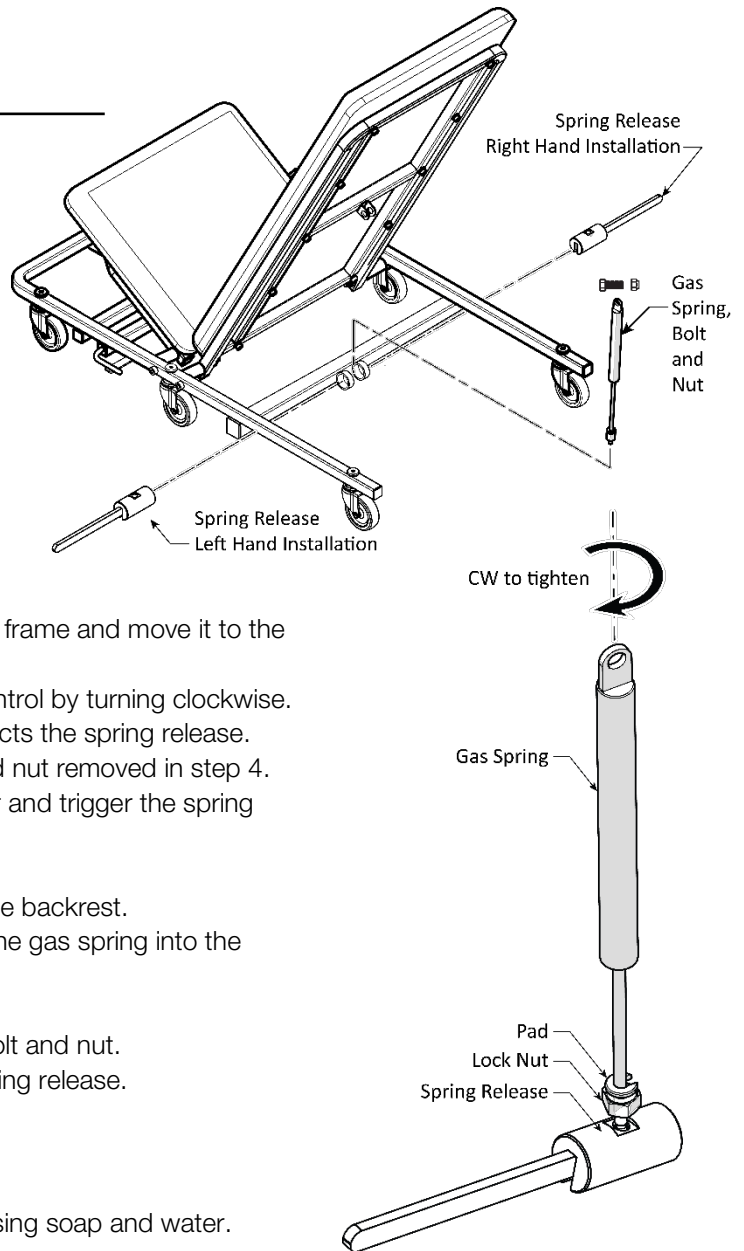
1. Remove weight from the backrest.
2. Pull the backrest spring release control forward. The backrest will rise.
3. Release the control when the backrest reaches the desired angle.
4. Remove the bolt and nut securing the gas spring to the backrest.
5. Loosen the lock nut and remove the gas spring from the spring release control by turning counterclockwise.
6. Remove the spring release control assembly from the frame and move it to the opposite side.
7. Return the gas spring back into the spring release control by turning clockwise.
8. Tighten the lock nut down the spring rod until it contacts the spring release.
9. Reattach the spring to the backrest using the bolt and nut removed in step 4.
10. Test to verify the backrest reclines. Sit on the Creeper and trigger the spring release control while pushing against the backrest.

If the backrest does not recline:

- a. Remove the bolt and nut securing the spring to the backrest.
- b. Loosen the lock nut and then attempt to tighten the gas spring into the spring release control an additional rotation.
- c. Tighten the lock nut onto the spring release.
- d. Attach the gas spring to the backrest using the bolt and nut.
- e. Lean against the backrest while pulling on the spring release.
- f. If the backrest does not recline, contact MaxJax.

To Clean the Creeper:

1. Vinyl is a porous material. Wash the vinyl frequently using soap and water.
2. Wipe the vinyl and the frame and then dry after cleaning.
3. If a more powerful cleaner is required, use a small amount of dish soap and a soft bristle brush.
4. Rinse with water and wipe dry, then allow to air dry fully.
5. Do **not** use bleach, vinegar, alcohol, or excessively harsh cleaners.
6. Store the MaxJax Creeper in a clean, well ventilated, and dry area.

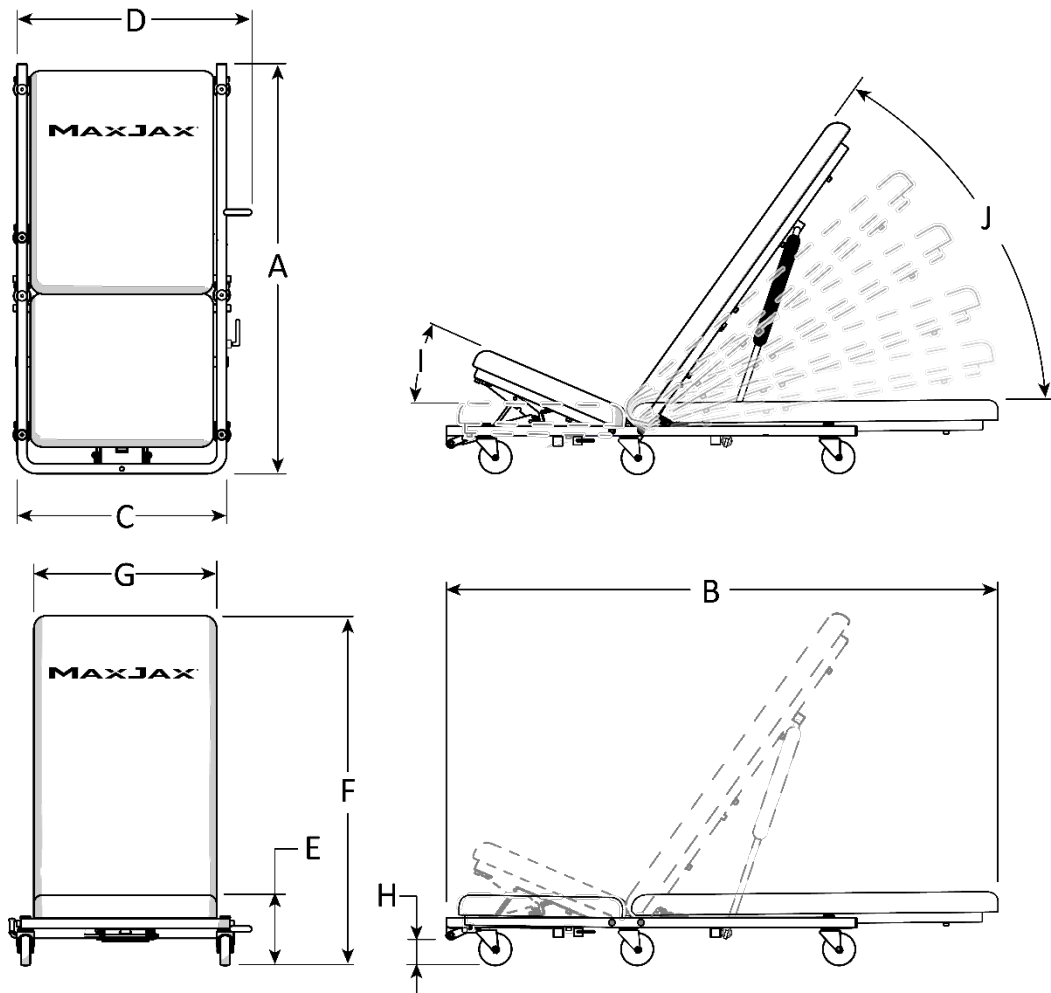


Specifications

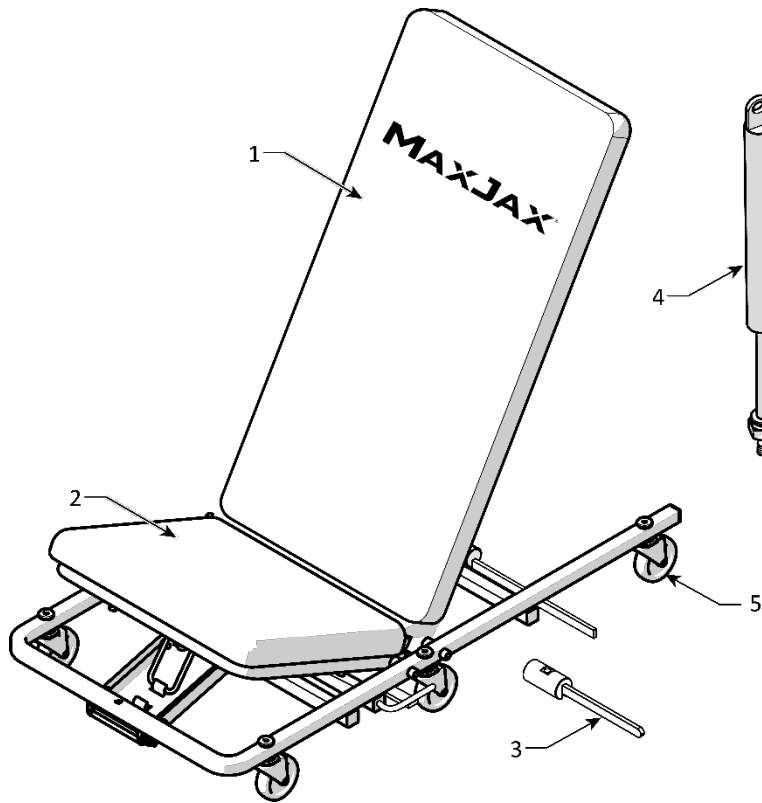
A	Length (backrest up)	33 in. / 840 mm
B	Length (backrest down)	45.25 in. / 1,150 mm
C	Width (frame)	17 in. / 430 mm
D	Width (overall)	20.75 in. / 530 mm
E	Seat Height (down)	6.25 in. / 161 mm
F	Backrest Height (up)	31.5 in. / 800 mm
G	Seat/Backrest Width	14.75 in. / 376 mm
H	Ground Clearance	≈3 in. / 76 mm
I	Seat Angle Min. / Max.	≈0° to 30°
J	Backrest Angle Min. / Max.	≈0° to 70°

Specifications subject to change without notice.

- **Maximum load:** 600 lbs. / 272 kg.
- **Backrest Angle Adjustment:** Gas Spring
- **Seat Angle Adjustment:** Mechanical Lock — 3 positions
- **Casters:** Six 360° Casters, Ø2.5 in. x .75 in., sleeve bearings, oil resistant, non-marring rubber wheels.
- **Seat Materials:** Padded Marine Vinyl Backrest and Seat. Marine Vinyl is abrasion, chemical and oil resistant.
- **Frame Materials:** Full powder coated and welded square steel tube.
- **Weight:** 41.25 lbs. / 19 kg.



Components



Item No.	Description	Qty.
1	Backrest	1
2	Seat	1
3	Spring Release	1
4	Gas Spring Assembly	1
5	Caster Assembly	6

Maintenance

- Always store in a dry area.
- On a monthly basis, or when required, inspect all welds and the creeper's structural components for cracks or corrosion.
- On a monthly basis, inspect for damaged powder coat and repair to prevent damage from rust.
- On a monthly basis, inspect all fasteners to verify they are secured. Tighten any loose fasteners.
- Lubricate the caster bearings with a spray lubricant as required.

End of Service Life

Once the MaxJax Creeper has reached the end of its service life it must be disposed of properly. Local metal recyclers will be able to advise on methods to recycle and *reuse* the materials, diverting them from landfills. The best option is to contact a metal recycling center to determine if the facility can deconstruct and recover the usable components and metals. Dispose of in accordance with all national, state, and local regulations.



5240 Willis Road
Theodore, AL, 36582
Telephone: (844) 629-5291
maxjax.com